

Switch Matrix | 8x16 Port Solid-State Full Cross-bar Switch Matrix. 16KHz to 10GHz / 30GHz options. Bench Top Version

Introducing the Switch Matrix

XSM-019-2816-30G-100

XSM-019-2816-10G-100



The XSM-019-2816-10G/30G-100 is a high-speed, USB and ethernet controlled RF cross-bar switch matrix, specifically designed for versatile and dynamic routing of RF signals. With a full cross-bar architecture, the XSM-019-2816-10G/30G-100 can switch any of its 8 common ports to any of the 16 I/O ports, offering unparalleled flexibility in routing and signal distribution. This solid-state matrix enables bi-directional RF paths over a broad frequency range of 16 kHz to 10 GHz (or up to 30 GHz), maintaining minimal insertion and return loss. Each port is internally DC-blocked and capable of handling up to 16V, making it durable and resilient for demanding RF environments.

In contrast to mechanical switching solutions, the XSM-019-2816-10G/30G-100 solid-state design ensures each port is permanently matched to 50 ohms, including unselected ports, providing exceptional impedance matching ideal for vector network analyser (VNA) extension applications. The module also integrates a precision-controlled internal oven, which can sustain stability over time, limiting signal drift to less than 0.02 dB, with near-zero drift and exceptional repeatability.

Applications

- Test automation
- Test equipment extender
- Antenna characterization
- 5G & phased arrays
- Cross-correlation

Equipped with SMA on the 10GHz version and 2.92mm connectors for the 30GHz version (other connector types available on request), the XSM-019-2816-10G/30G-100 is suitable for automated test environments, with the added flexibility of USB and Ethernet control interfaces. For time-sensitive applications, the XSM-019-2816-10G/30G-100 supports the loading of predefined switching sequences, which can be triggered by logic signals, achieving rapid switching with microsecond-level timing. The module is also capable of standalone operation, powered directly through USB.



Easy to Use



Portable



Value for Money



Rugged

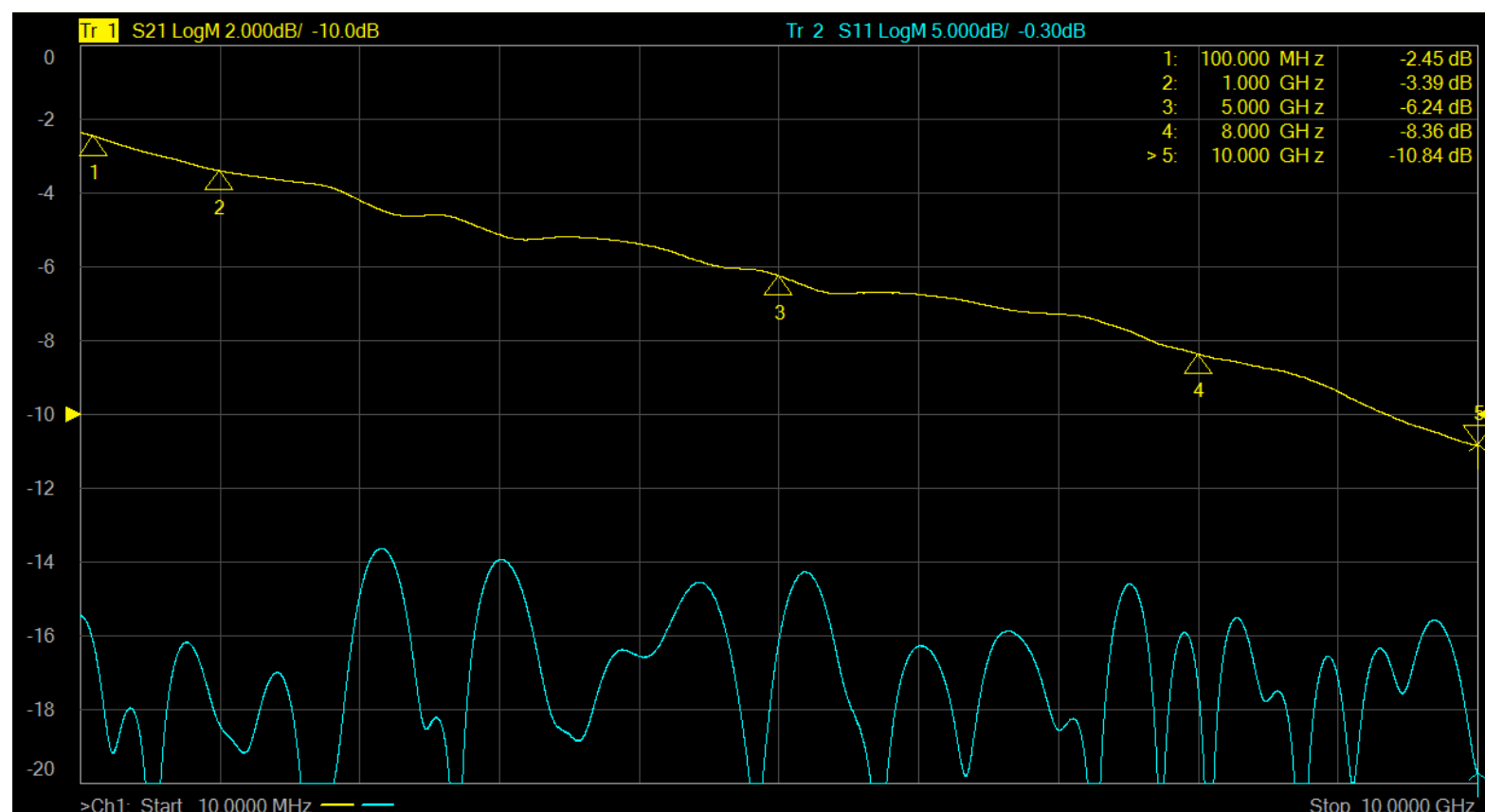
Switch Matrix

8x16 Port Solid-State Full Cross-bar Switch Matrix. 16KHz to 10GHz / 30GHz options. Bench Top Version



Typical Measured Performance

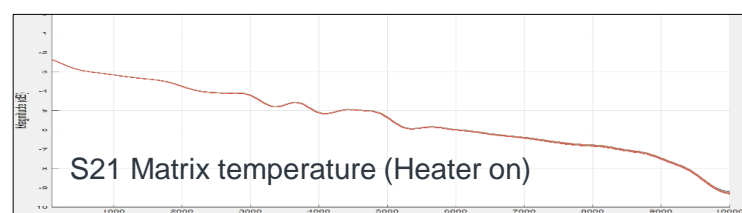
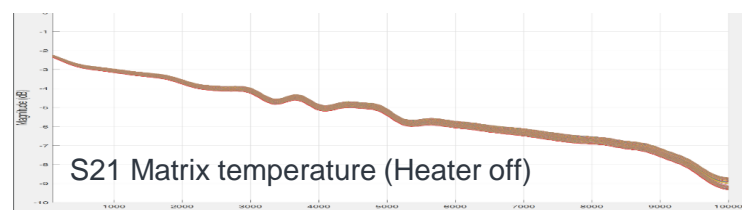
S21 & S11 measurement of XSM-019-2816-10G-100



Specification	XSM-019-2816-10G-100	XSM-019-2816-30G-100
Operating Frequency	16kHz to 10GHz	16kHz to 30GHz
Configuration	8X16 Full Crossbar (Only 2 switch paths)	8X16 Full Crossbar (Only 2 switch paths)
Isolation (dB) (Between I/O Ports)	16kHz to 2GHz: 105 2GHz to 6.5GHz: 95 6.5GHz to 10GHz: 87	16kHz to 2GHz: 120 2GHz to 10GHz: 110 10GHz to 20GHz: 95 20GHz to 30GHz: 83
Isolation (dB) (Between Common Ports)	16kHz to 2GHz: 75 2GHz to 6.5GHz: 65 6.5GHz to 10GHz: 55	16kHz to 2GHz: 75 2GHz to 10GHz: 55 10GHz to 20GHz: 55 20GHz to 30GHz: 50
Insertion Loss (dB)	16kHz to 1GHz: 4.3 1GHz to 3GHz: 5.6 3GHz to 6.5GHz: 7.2 6.5GHz to 10GHz: 10.2	16kHz to 1GHz: 5.0 1GHz to 3GHz: 6.4 3GHz to 6.5GHz: 8.0 6.5GHz to 10GHz: 10.0 10GHz to 18GHz: 14.0 18GHz to 24GHz: 16.5 24GHz to 30GHz: 20.0
Return Loss (dB)	16kHz to 1GHz: 17 1GHz to 3GHz: 13 3GHz to 6.5GHz: 10 6.5GHz to 10GHz: 10	16kHz to 1GHz: 15.0 1GHz to 3GHz: 12.0 3GHz to 6.5GHz: 12.0 6.5GHz to 10GHz: 10.5 10GHz to 18GHz: 12.0 18GHz to 24GHz: 11.0 24GHz to 30GHz: 10.0

Features

- 8 common ports, 2 switch paths
- 16 I/O ports
- Low loss from 16KHz to 10/30 GHz
- Unselected ports terminated
- High power handling
- High linearity
- High isolation
- Ultra low (near zero) drift
- Oven controlled for repeatable performance
- Fast switching



Specification	XSM-019-2816-10G/30G-100
Power Handling:	+20dBm, 16VDC MAX
Typical Switch Speed: (10% trigger to 90% output)	10µs
Port Type:	50Ω, SMA (f) on 10GHz, 2.92mm (f) on 30GHz.
Trigger:	TTL 3V3
Control Interface(s):	USB 2.0 (USB C), Ethernet

Specification	XSM-019-2816-10G/30G-100
Operating Environment:	-20°C to 80°C, 30% to 60% RH
Weight:	4kg
Dimensions: (H x W x D)	125mm x 182mm x 208mm
Power:	24V Max, up to 3A for heaters. Can run off USB alone.

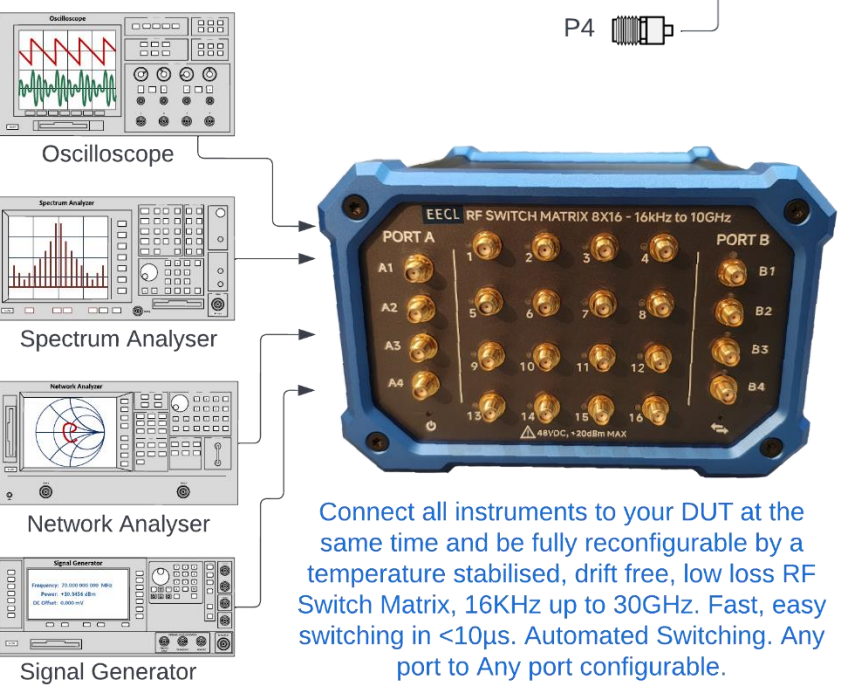
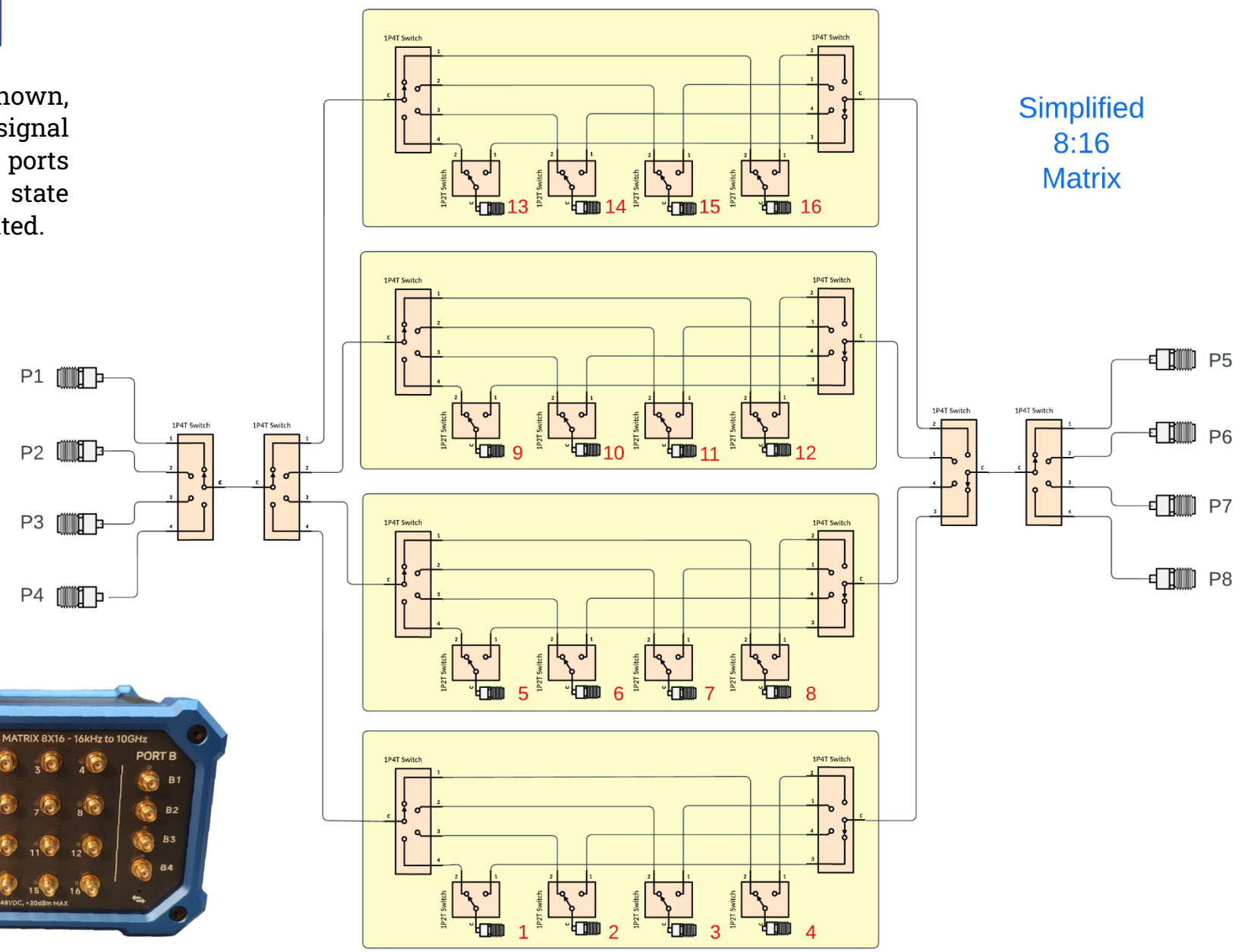


Switch Matrix

8x16 Port Solid-State Full Cross-bar Switch Matrix. 16KHz to 10GHz / 30GHz options. Bench Top Version

System Diagram

A simplified system diagram is shown, in order to demonstrate how the signal routing can be configured. All ports maintain a matched impedance state regardless of which path is activated.



Control

- Programmable and versatile
- Easy to use
- Compatible with LabVIEW, Matlab, C and all other environments
- USB or Ethernet interface
- External and Internal trigger with programmable switch sequences

Switch Matrix

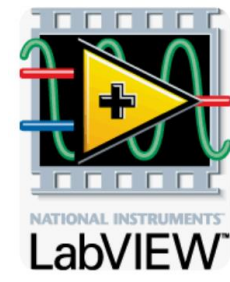
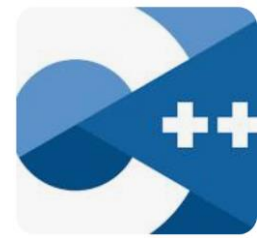
8x16 Port Solid-State Full Cross-bar Switch Matrix. 16KHz to 10GHz / 30GHz options. Bench Top Version

Software

Our software suite seamlessly integrates with the module, providing a powerful and user-friendly interface for configuring and controlling the system.

Compatible with C, LabView, and MATLAB, the software allows for effortless automation of complex tasks and real-time data acquisition. Users can set up measurement configurations through an intuitive dashboard. Advanced features include automated script execution and customizable trigger conditions for precise timing.

The software also supports remote access via Ethernet or USB, enabling control from any networked location, making it ideal for both lab-based setups and large-scale distributed testing environments.



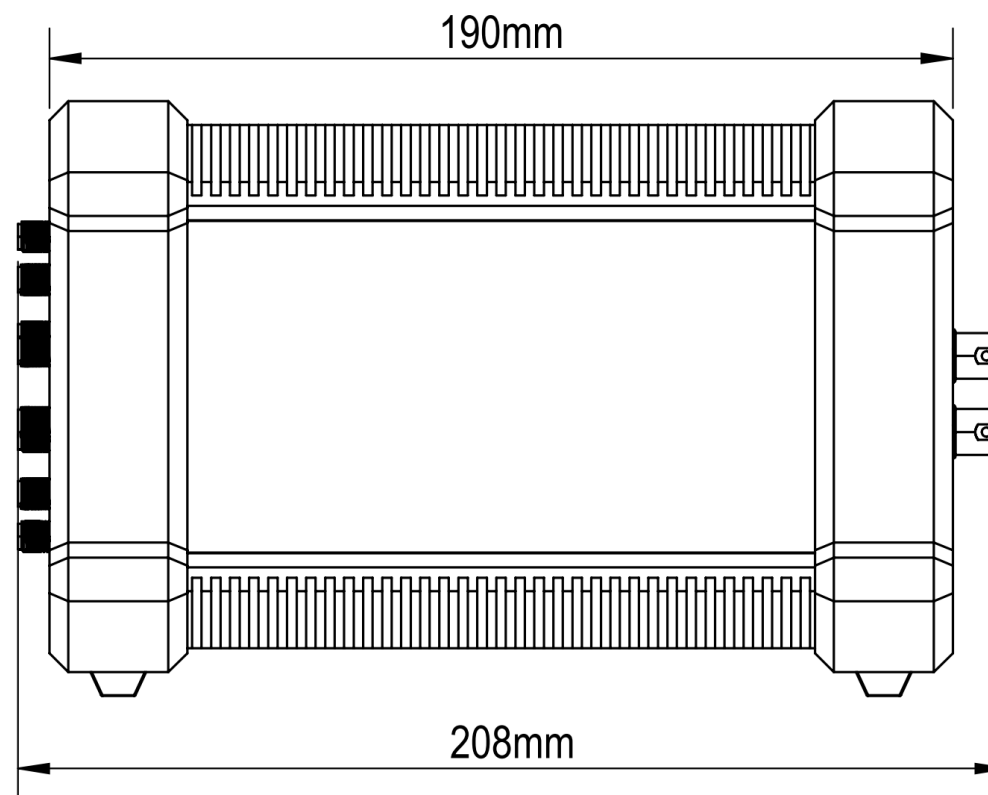
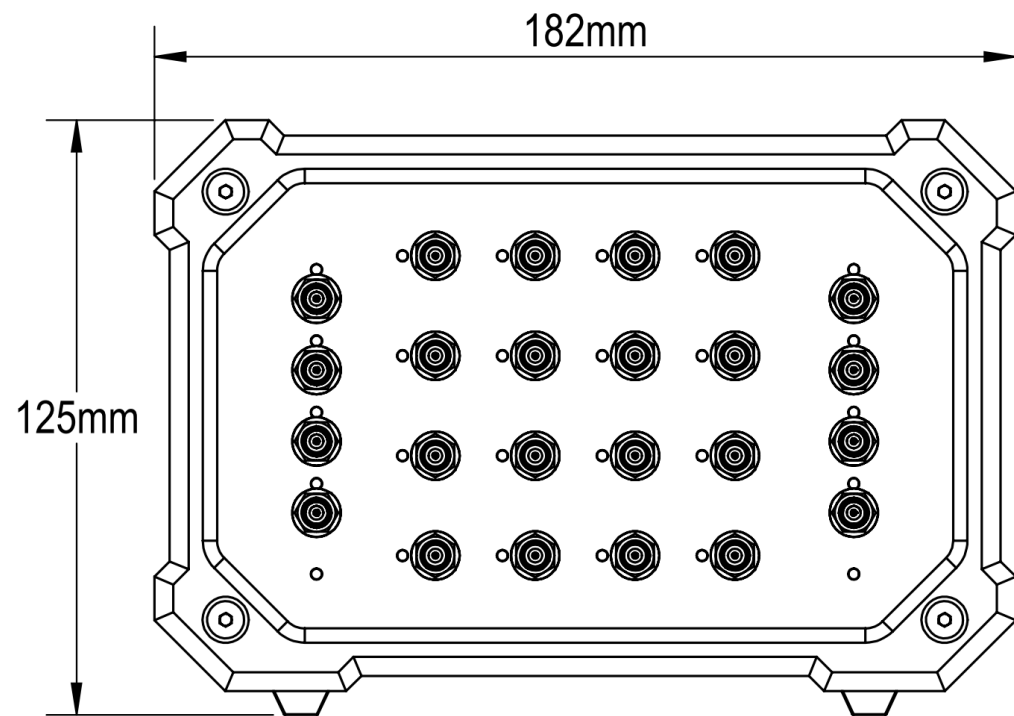
Control

- Programable and versatile
- Easy to use
- Compatible with LabVIEW, Matlab, C and all other environments
- USB or Ethernet interface
- External and Internal trigger with programable switch sequences

Switch Matrix

8x16 Port Solid-State Full Cross-bar Switch Matrix. 16KHz to 10GHz / 30GHz options. Bench Top Version

Unit Dimensions



Common (Port A/Port B) Port Spacing: 15mm
 I/O Ports (1 to 16) Port Spacing: 21mm
 Trig In/Out BNC Spacing: 16mm

